

4-5T Internal combustion counterbalance forklift truck FD40/FD45/FD50



Fluid Transmission

Using fluid Transmission, with favorable power and performance, operate simply.

Full hydraulic brake system

Big Brake moment, responsive, short braking distance, operate comfortable.

Rolling channel steel mast

Adopt rolling section steel wide visual field mast, with favorable load-carrying capacity and smooth surface.

Overall longeron frame

Using overall longeron frame, with good strength and high bearing capacity. no weld, strong rigidity.

Overhead air filter

High air filter to insure attract clean air, prolong the lifespan of the engine.

Totally enclosed meter rack

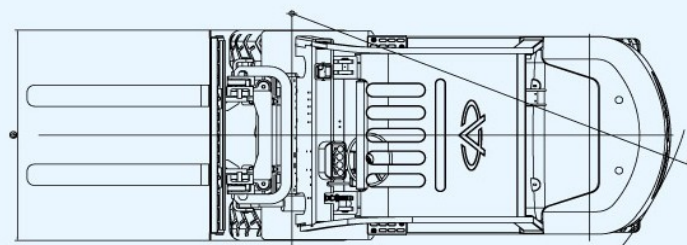
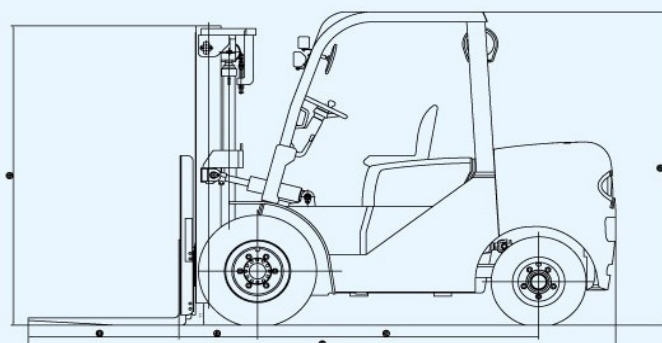
Using large surface engineering plastics to seal in the front of the bodywork, with neat surface and comfortable operating space.

Overhead tail lamp

Installing tail lamp on the top of bodywork to warn people and vehicle at the back.

Graceful appearance

Using streamline structure on the side of the body, large pedal plate to make it easy for getting on and off. Using steel structure shield on the top of the bodywork, with beautiful surface. Adopt new elliptic surface of the balance weight and colorful painting, beautiful and graceful.



specifications

		Model		FD40HA	FD45HA	FD50HA	
1	Speciality	Power Model		Diesel	Diesel	Diesel	
2		Rated capacity	kg	4000	4500	5000	
3		Load center	mm	500	500	500	
4		Lifting height	mm	3000	3000	3000	
5		Free lifting height	mm	85	145	145	
6		Size of forks L*W*H	mm	1070x125x50	1070x150x50	1070x150x50	
7		mast tilt angle Front/Back	°	6/12	6/12	6/12	
8		Minimum turning radius	mm	2700	2760	2800	
9		Minimum right-angle stacking aisle width	mm	4400	4700	4740	
10		Minimum right-angle aisle width	mm	2685	2740	2800	
11		Minimum ground clearance	mm	120	160	160	
12		Overhead guard height	mm	2090	2350	2350	
13		Front overhang	mm	500	560	560	
14	Performance	Max driving speed(Full load)	Km/h	18.5	19	19	
15		Max lifting speed(Full load)	mm/s	410	410	400	
16		Max traction(Full load)	KN	20	22	22	
17		Max grade ability	%	20	20	18	
18	Size	Overall length (Without fork)	mm	2930	3060	3060	
19		Overall width	mm	1410	1480	1480	
20		Height of mast	mm	2155	2240	2240	
21		Overall height when max lifting (load backrest)	mm	4270	4230	4260	
22	Chassis	Tyre	Front wheel	250-15-16PR	300-15-18PR	300-15-18PR	
23			Back wheel	6.50-10-10PR	7.00-12-12PR	7.00-12-12PR	
24		Axle base	mm	1900	2000	2000	
25		Wheel base Front/Back	mm	1160/1065	1180/1190	1180/1190	
26	Dead weight Without load	Kg	5300	6380	6700		
27	Storage battery Voltage/Capacity	V/Ah	12/90	(12/90)x2	(12/90)x2		
28	Drive	Engine	Model	xinchang498BPG	LR4B3-G88	LR4B3-G88	
29			Rated power kw/r.p.m	45/2500	57/2200	57/2200	
30			Rated torque Nm/r.p.m	193/1600-1800	285/1300-1500	285/1300-1500	
31			Cylinder number	4	4	4	
32			Cylinders diameter*Stroke	mm	98x105	108 × 125	108 × 125
33			Displacement	L	3.168	4.58	4.58
34			Capacity of fuel tank	L	80	100	100
35	Transmission gear position Front/Back		2/2Manual gear shift	2/1	2/1		
36	Working pressure	Mpa	17.5	18.5	18.5		

Our company reserves the right to vary design and specifications without prior notice



年豐貸款控股(私人)有限公司

LIAN FONG CREDIT HOLDINGS PTE LTD

96 Jalan Jurong Kechil Singapore 598599

Tel: +65-6468-3948 Fax: +65-6469-2262

E-mail : admin@lianfong.com.sg