

creative design/simple structure/super stability/high performance



WUHU RUICHUANG FORKLIFT CO.,LTD.

5-7 T internal combustion counterbalance forklift truck

FD50/FD60/FD70

 極峯汽车私人有限公司
Vertex Automobile Pte Ltd
(A member of the Lian Fong Group)


CHERY

Address: 3 Ubi Road 4 singapore 408608 Tel: +65-64683948, +65-67428922
HP: +65-94522576 E-mail: admin@lianfong.com.sg



■ Forceful Power

Engine power is strong,output torque comes up to 450N.m,ensure enough power for the vehicle.

■ Wide visual field

Widen mast design,open visual field, increase the work efficiency and safety operation.

■ Special air inflow

Using double airfilter and increasing air inflow buffer tank ,providing a good environment for air inflow and eliminate noise of air inlet when engine is running in high speed.

■ Safety ensurance

Using electromagnetic switch,ensure the electric system work safety.

■ Brief outlook

The whole forklift truck adopt three dimensional hood surface mold, it looks brief, beautiful and graceful.

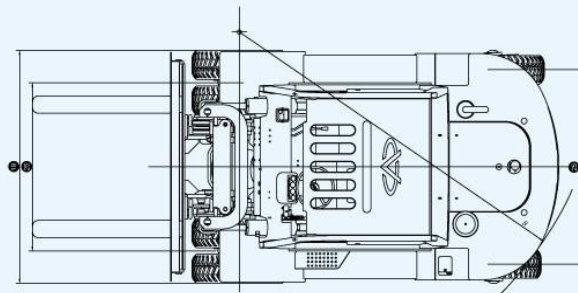
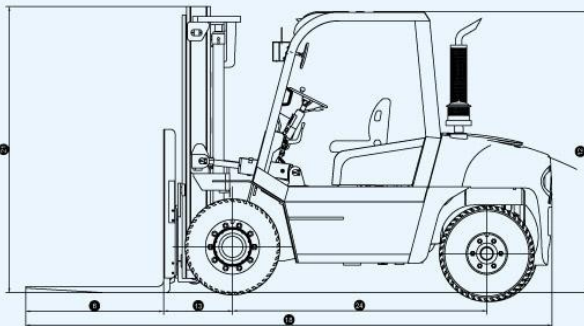


CAPACITY CHART



■ Specifications of the forklift engine

manufacturer	power type	model	displacement L	rated power/ reversirg speed Kw/r.p.m
China chaoyang	diesel	6102BG6	5.785	81/2500
China wuxi	diesel	CA4110G	4.752	64/2300
JapanMITSUBISHI	diesel	S6S-31TEL	4.996	67.4/2300
JapanISUZU	diesel	6BG1	6.494	82.3/2000
UKPERKINS	diesel	1104D-44TA	4.4	83/2200



Standard Specifications

Parameter Name			FD50HC	FD60HC	FD70HC		
S p e c i f i c a t i o n s	1	Type of power	Diesel	Diesel	Diesel		
	2	Rated capacity	kg	5000	6000	7000	
	3	Load center	mm	600	600	600	
	4	Lifting height	mm	3000	3000	3000	
	5	Free lifting height	mm	205	210	220	
	6	Size of forks	L*W*H	1220x150x55	1220x150x60	1220x150x70	
	7	Mast tilt angle	Front/Back	°	6/12	6/12	6/12
	8	Minimum turning radius	mm	3250	3370	3370	
	9	Minimum right-angle stacking aisle width	mm	5500	5620	5620	
	10	Minimum right-angle aisle width	mm	2960	3040	3040	
	11	Minimum ground clearance	mm	200	200	200	
	12	Overhead guard height	mm	2460	2460	2460	
	13	Front overhang	mm	610	615	620	
P e r f o r m a n c e	14	Max driving speed	Full load	km/h	26	26	26
	15	Max lifting speed	Full load	km/h	500	500	460
	16	Max traction	Full load	KN	51.4	51.4	51.4
	17	Max grade ability	%	20	20	20	
S i z e	18	Overall length	No fork	mm	4655	4780	4785
	19	Overall width	mm	2235	2235	2235	
	20	Max fork lifting height(With load backrest)	mm	4380	4380	4380	
	21	Mast height	mm	2500	2500	2500	
C h a s s i s	22	Tyre	Front wheel	mm	8.25-15-14PR	8.25-15-14PR	8.25-15-14PR
	23		Back wheel	mm	8.25-15-14PR	8.25-15-14PR	8.25-15-14PR
	24	Axle base	mm	2250	2250	2250	
	25	Wheel base	Front/Back	mm	1470/1700	1470/1700	1470/1700
	26	Dead weight	Without load	Kg	7980	8640	9340
P o w e r	27	Battery	Voltage/Capacity	V/Ah	(12/90)*2	(12/90)*2	(12/90)*2
	28	Engine	Model		CY6102BG6	CY6102BG6	CY6102BG6
	29		Rated power	kw/r.p.m	81/2500	81/2500	81/2500
	30		Rated torque	Nm/r.p.m	353/1700	353/1700	353/1700
	31		Cylinder diameter*stroke		6	6	6
	32		Number of cylinders	mm	102x118	102x118	102x118
	33		Displacement	L	5.785	5.785	5.785
	34	Fuel tank capacity	L	120	120	120	
	35	Transmission	Gear position Front/Back		2/2 Power shift	2/2 Power shift	2/2 Power shift
	36	Working pressure	MPa	20	20	20	

■ Standard Facility

Wide visual field mast ● Swirl type air filter ● Load check valve ● Preheating indicator ● Hitch pin ● Engine starting switch ● Standard load backrest ● Common seat ● Long lift span tyre ● Overhead guard ● Power brake ● Power steering ● Automatic transmission Adjustable ● steering column ● Radiator water storage tank ● Side roller ● Standard fork shelf ● Oil cooler ● Headlamp and direction indicator lamp ● Charging indicator ● Working hour meter ● Engine oil pressure warning light ● Water temperature indicator ● Fuel gauge ● Reversing lamp ● Horn ● Neutral safety switch ● Folder ● Back reflecting mirror ● Tool box ● reversing buzzer

■ Optional Attachment

Fire extinguisher ● Driving cab ● Warm air blower ● Background working lamp ● Solid tyre ● Up exhaust unit ● Windshield ● Tilt cylinder jacket ● Rolling warning light ● Autometer ● Two(three)stage full free mast ● Small fan ● Engine key dies

■ Attachment

Side shifter ● Hydrocylinder adjustable fork shelf ● Screw adjustable fork shelf ● Carpet boom ● Crane jib ● Long fork ● Others

M Wide View Standard Mast

Lifting height	Load center weight600mm			Max Fork lifting height	Mast height		自由起升(带挡货架)			Mast tilt angle Front/Back	Weight(With load backrest)		
	FD50	FD60	FD70		Fork landing	Fork lifting	FD50	FD60	FD70		FD50	FD60	FD70
	kg	kg	kg		mm	mm	mm	mm	mm		mm	kg	kg
3000	5000	6000	7000	3000	2500	4420	205	205	210	6°/12°	8250	8910	9260
3300	5000	6000	7000	3300	2650	4720	205	205	210	6°/12°	8300	8950	9310
3500	5000	6000	7000	3500	2750	4920	205	205	210	6°/12°	8330	8980	9340
4000	5000	6000	6800	4000	3050	5420	205	205	210	6°/12°	8520	9170	9530
4500	4800	5800	6600	4500	3300	5920	205	205	210	6°/6°	8610	9260	9620
5000	4600	5500	6300	5000	3550	6420	205	205	210	6°/6°	8720	9370	9730
5500	4500	5400	6200	5500	3850	6920	205	205	210	3°/6°	8920	9570	9930
6000	4400	5200	6000	6000	4100	7420	205	205	210	3°/6°	9000	9650	10010

Z 2-Stage Full Free Mast

Lifting height	Load center weight			Max Fork lifting height	Mast height		自由起升			Mast tilt angle Front/Back	Weight(With load backrest)		
	FD50	FD60	FD70		Fork landing	Fork lifting	FD50	FD60	FD70		FD50	FD60	FD70
	kg	kg	kg		mm	mm	mm	mm	mm		mm	kg	kg
3000	5000	6000	7000	3000	2500	4420	1255	1205	1260	6°/12°	8110	8810	9510
3300	5000	6000	7000	3300	2650	4720	1405	1405	1410	6°/12°	8160	8860	9560
3500	5000	6000	7000	3500	2750	4920	1505	1505	1510	6°/12°	8190	8890	9590
4000	5000	6000	6800	4000	3050	5420	1805	1805	1810	6°/12°	8390	9090	9790
4500	4800	5800	6600	4500	3300	5920	2055	2055	2060	6°/6°	8470	9170	9890

Note: ●Remark:Weight without load backrest:5-6T-54kg,7T-59kg

●Free lifting height without load backrest:5-7T+325 mm,mast height(fork rised)5-7T-325mm

S 3-Stage Full Free Mast

Lifting height	Load center weight			Max Fork lifting height	Mast height		自由起升			Mast tilt angle Front/Back	Weight(With load backrest)		
	FD50	FD60	FD70		Fork landing	Fork lifting	FD50	FD60	FD70		FD50	FD60	FD70
	kg	kg	kg		mm	mm	mm	mm	mm		mm	kg	kg
4000	4500	5500	6200	4000	2500	5400	1130	1130	1135	6°/12°	8640	9340	10040
4350	4500	5500	6200	4350	2650	5750	1255	1255	1260	6°/6°	8720	9420	10120
4800	4500	5500	6200	4800	2750	6200	1405	1405	1410	6°/6°	8800	9500	10200
5000	4500	5500	6200	5000	2875	6400	1505	1505	1510	6°/6°	8860	9560	10260
6000	4200	5000	5500	6000	3300	7400	1930	1930	1935	3°/6°	9220	9920	10620

Note: ●Remark:Weight without load backrest:5-6T-54kg,7T-59kg

●Free lifting height without load backrest:5-7T+325 mm,mast height(fork rised)5-7T-325mm